

MAINTENANCE CAUTIONS

維修注意事項

WARNING If the supply cord is damaged, it must be replaced by the manufacturer or its service agent or a similarly qualified person in order to avoid a hazard.
警告 如果電源軟線損壞，為避免危險，必須由製造廠，其維修部或類似的專業人員來更換。

1. Disconnect the power supply until blade is stationary before clean and maintenance.
2. Never use petrol, benzene, thinner or any other such chemicals for cleaning the ventilator.
3. Do not allow water to contact the electrical parts, such as the motor.
4. Do not immerse louver or resin parts in hot water over 60°C.
5. After cleaning, confirm that the parts have been reassembled correctly.

1. 在清潔和保養前，請確保斷開電源且扇葉停止轉動。
2. 切勿使用汽油、苯、稀釋劑或者任何其它類似的化學品清洗換氣扇。
3. 請不要讓水接觸到電子部件，例如馬達。
4. 請不要將百葉窗或樹脂部件浸于60度以上的熱水中。
5. 清洗后，要確認各部件是否被正確安裝好。

SPECIFICATIONS 規格

Model No.	Voltage	Frequency	Power consumption	Speed	Air delivery	Power factor	Weight
型號	電壓	頻率	耗電量	轉速	風量	功率因數	重量
	[V]	[Hz]	[W]	[R/M]	[CMH]	[%]	[Kg]
10BAQ1 07	220	50	15	1250	80	97	1.7

Insulation class: E, IP code: IPX4 (outside)

絕緣等級: E級, IP號碼: IPX4 (外牆)

Matsushita Ecology Systems Co., Ltd.

10BAQ14201



Operating Instructions

操作說明書

MODEL

型號

10BAQ1 07

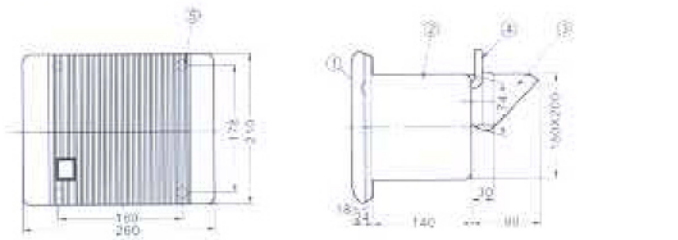
Before operating this product, please read these instructions completely.
使用前請仔細閱讀說明書，以便正確使用。

INSTALLATION CAUTIONS 安裝注意事項

1. Do not install this fan in the kitchen.
2. Do not install this fan in the ceiling.
3. Do not install this fan in a place where the temperature may rise above 40°C (104°F).
4. Install this fan over 2.3m above the floor.
5. This fan should be installed by qualified person.
6. This fan must be positioned so that the plug is accessible.
7. For this fan, precautions must be taken to avoid the back-flow of gases into the room from the open flue of gas or other fuel-burning appliances.
8. This fan can be mounted in outside faced wall from the inside of room.

1. 請不要安裝在廚房。
2. 請不要安裝在天花板上。
3. 請不要安裝在溫度超過40°C的地方。
4. 此換氣扇的安裝高度距離地面勿低於2.3米。
5. 此換氣扇必須由合格技工安裝。
6. 此換氣扇必須裝在接近插座的地方。
7. 在安裝換氣扇時，請採取適當的措施以防止氣體從一般的排氣管或炊具排氣管倒流回室內。
8. 此換氣扇可以從室內安裝在外牆上。

IDENTIFICATION OF PARTS; MEASUREMENTS 零件名稱：尺寸

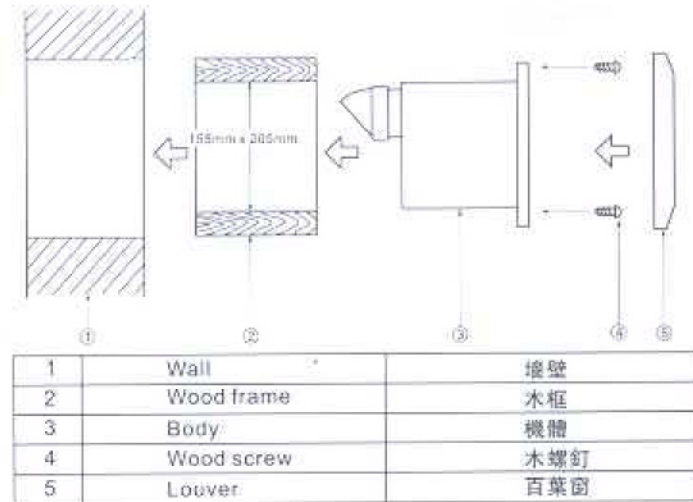


Dimensions: mm 單位：毫米

1	Louver	百葉窗
2	Body	機體
3	Hood	通氣罩
4	Supply cord	電源線
5	Installation hole	安裝孔

INSTALLATION 安裝

- Secure the wood frame as shown below and install the body with the attached wood screws.
- 按下圖所示先固定木框，然後用木螺釘將機體裝好。



WIRING DIAGRAM 電氣接線原理圖



10BAT1420A07 10BAQ1420H